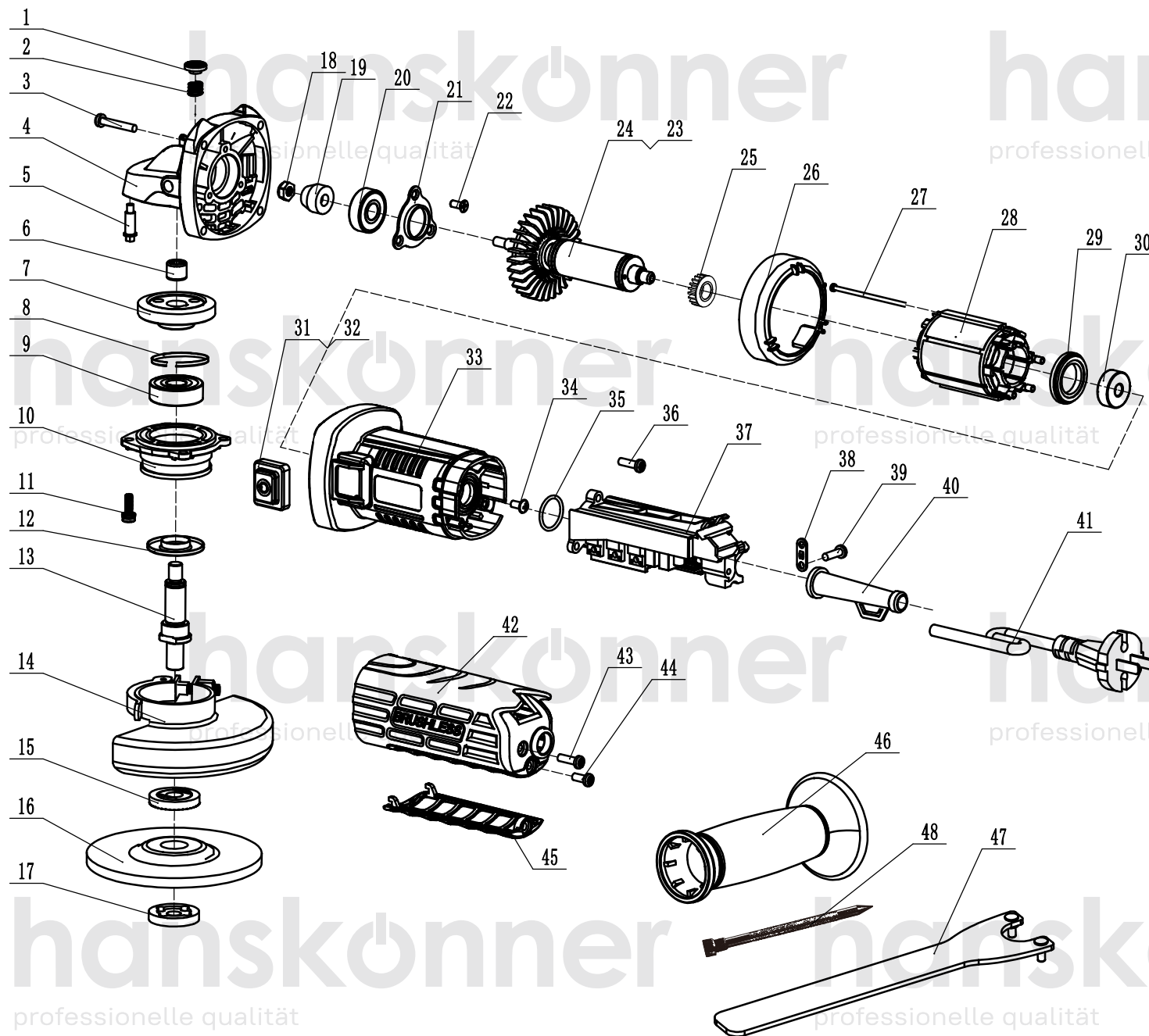


HAG9125SB



| NO. | DESCRIPTION |
|-----|----------------------|
| 1 | LOCK CAP |
| 2 | SPRING OF SHAFT LOCK |
| 3 | SCREW ST4X25 |
| 4 | HEAD CASE |
| 5 | LOCK PIN |
| 6 | NEEDLE HK0810 |
| 7 | BIG GEAR |
| 8 | CIRCLIP ϕ 32 |
| 9 | BEARING 6201 |
| 10 | FRONT COVER |
| 11 | SCREW ST4X14 |
| 12 | DUSTPROOF RING |
| 13 | OUTPUT SHAFT |
| 14 | WHEEL GUARD |
| 15 | INNER FLANGE |
| 16 | WHEEL |
| 17 | OUTER FLANGE |
| 18 | LOCK NUT M6 |
| 19 | SMALL GEAR |
| 20 | BEARING 629 |
| 21 | BEARING PRESS COVER |
| 22 | SCREW ST4X10 |
| 23 | FAN |
| 24 | ROTOR |
| 25 | SMALL FAN |
| 26 | BAFFLE PLATE |
| 27 | SCREW ST2.5X55 |
| 28 | STATOR |
| 29 | ROTOR DUST RING |
| 30 | BEARING 608 |
| 31 | SWITCH CAP |
| 32 | SWITCH BRACKET |
| 33 | HOUSING |
| 34 | SCREW M4X10 |
| 35 | O RING |
| 36 | SCREW ST4X12 |
| 37 | PCB UNIT |
| 38 | CORD CLAMP |
| 39 | SCREW ST4X10 |
| 40 | CORD SLEEVE |
| 41 | CORD |
| 42 | REAR COVER |
| 43 | SCREW ST4X14 |
| 44 | SCREW ST4X10 |
| 45 | DUST FILTER |
| 46 | SIDE HANDLE |
| 47 | SPANNER |
| 48 | SCRIBER |